

	1
	1
	
1-1	
1-1	
1-	
1-	
1-	
1-	11
1-	1
1-	1
1-	1
1-	1
1-10	1
1-11	
1-1	
1-1	
1-1	
1-1	
1-1	0
1-1	
1-1	
	
	
-1	
-1	
-	0
-	1
-	
-	
-	
-	
-	1
-10	
-11	
-1	
-1	
-1	1
-1	
-1	
-1	
-1	
	0

[2014] 55

- 1.
- 2.
- 3.
- 4.

--

--

		1-1	1	1-1	1-1
		-1	1	-1	-1
		-1	1	-1	-1

1

I/O

C

/

Kei I C

2

1

/ /

Kei I C

MCU

/ /

2

6S (

)

/

3

120

4

20		10	0	
				1
				2
		10		3
				4
			5	

10

5

30

1



2

PCB

E

3

1

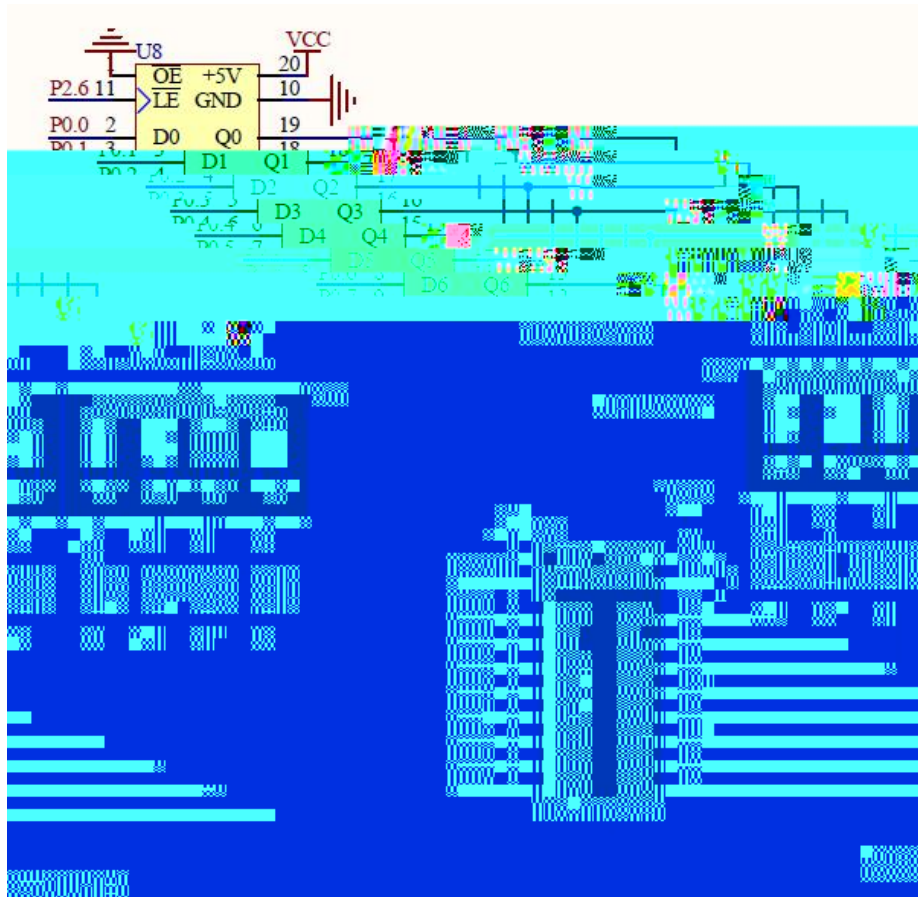


2

PCB
E

3

1

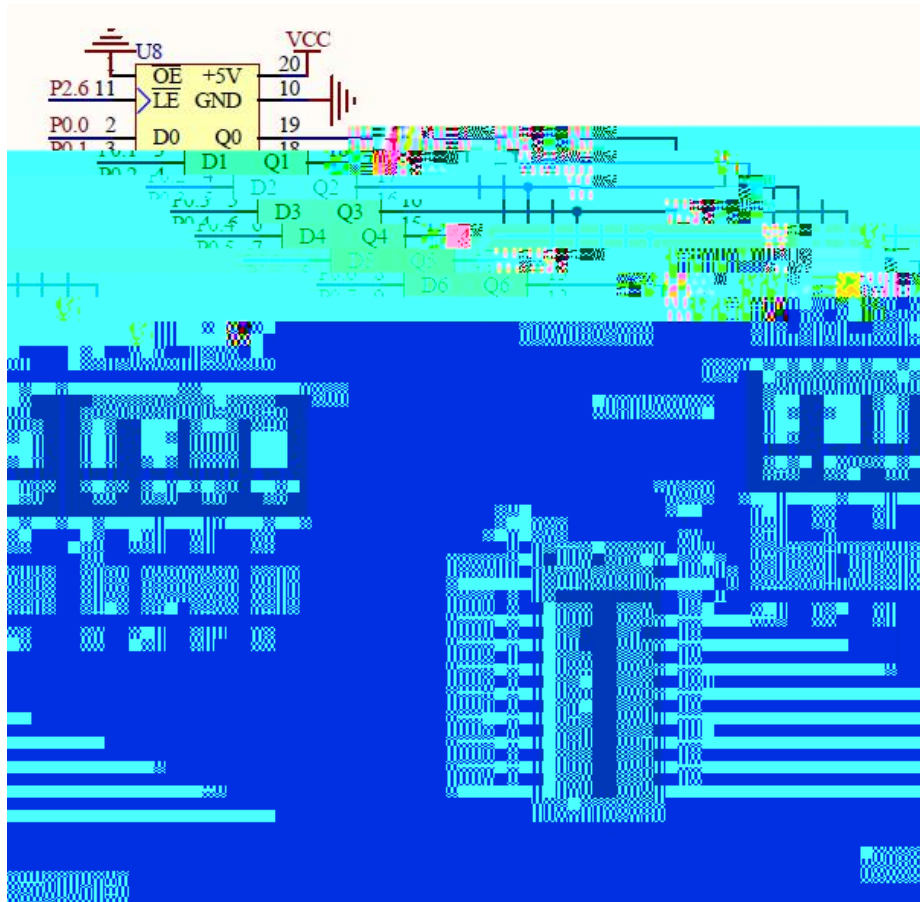


2

PCB
E

3

1



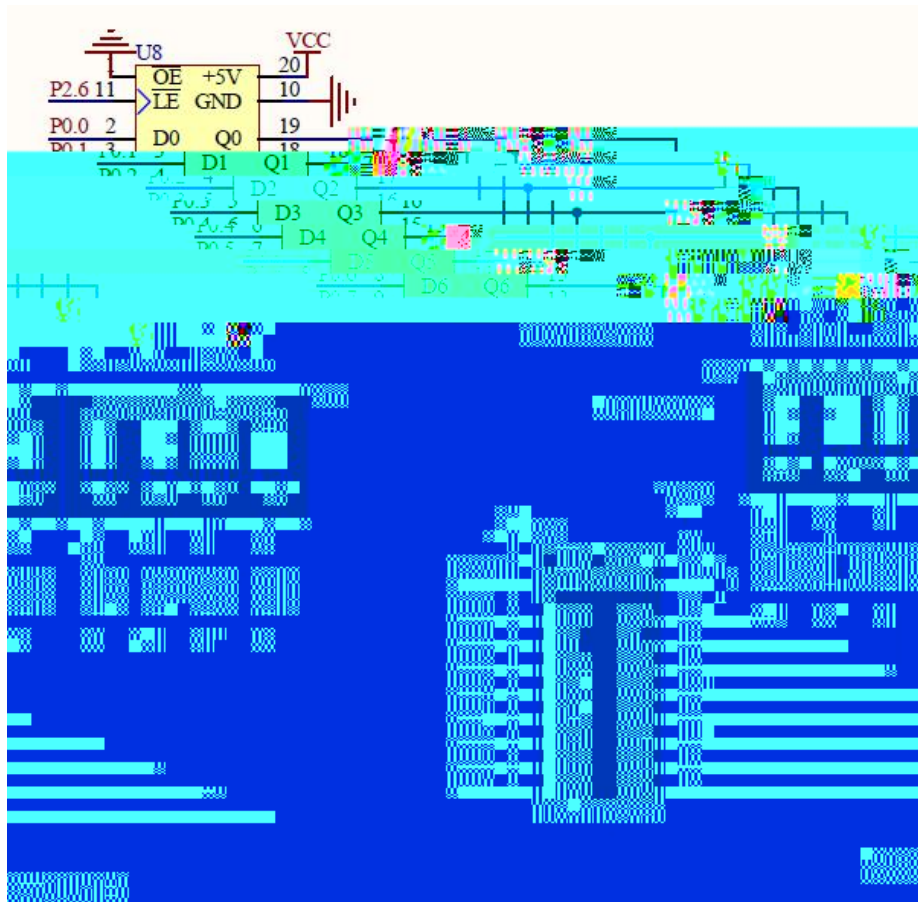
2

PCB

E

3

1



2

PCB

E

3

1

K1 8



2

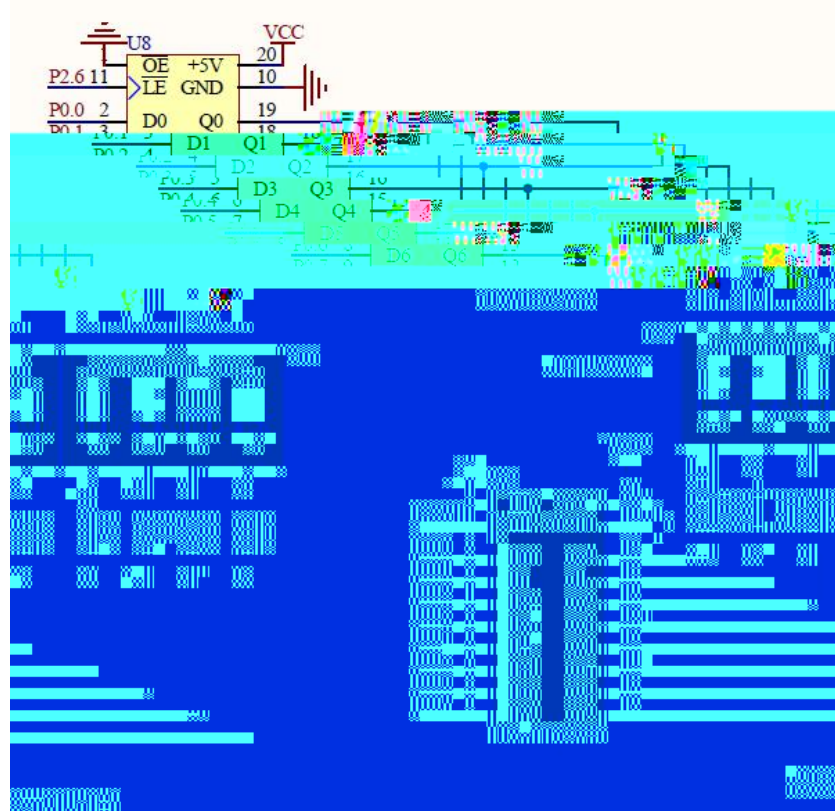
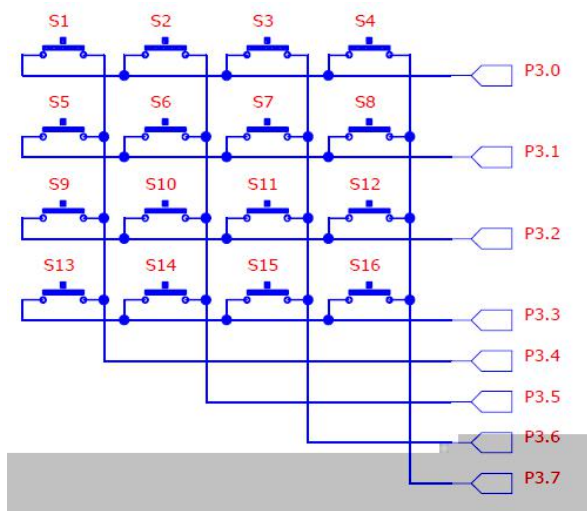
PCB
E

3

1

S1-S16

O-F



2

PCB

E

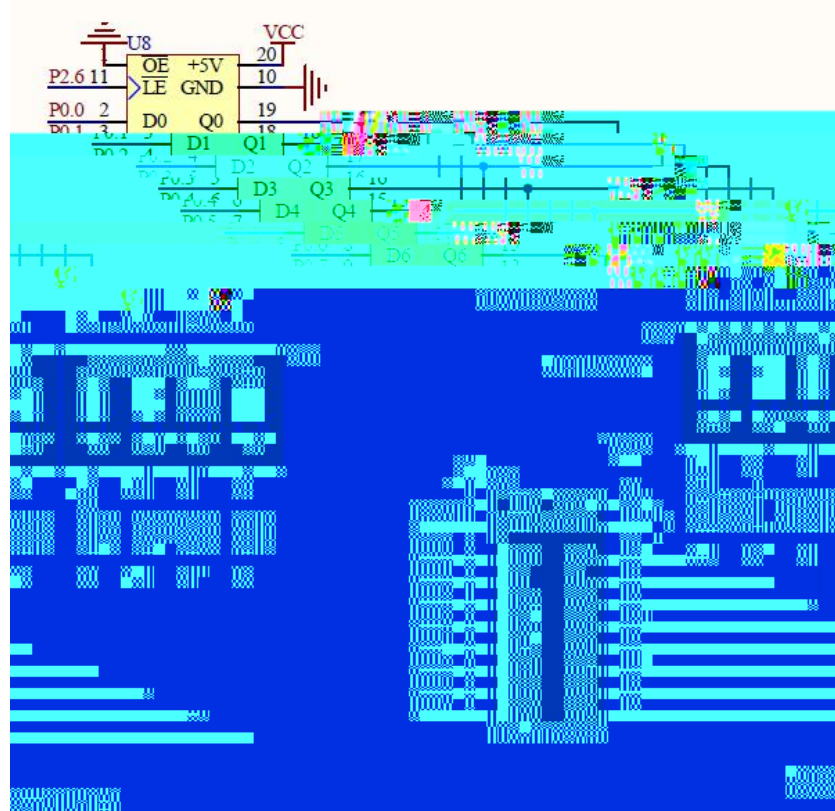
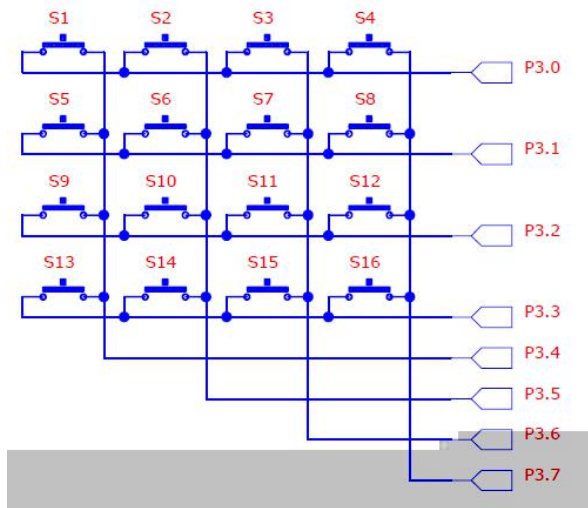
3

1

P3.2

9 0

1



2

PCB

E

3

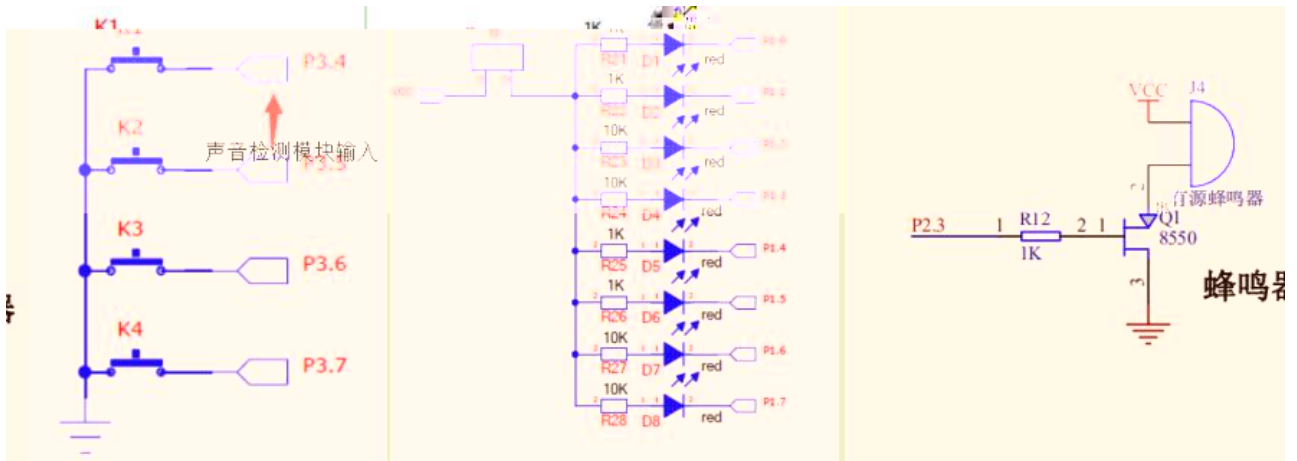
1

P3.4

1

P3.4

D1



1

2

PCB
E

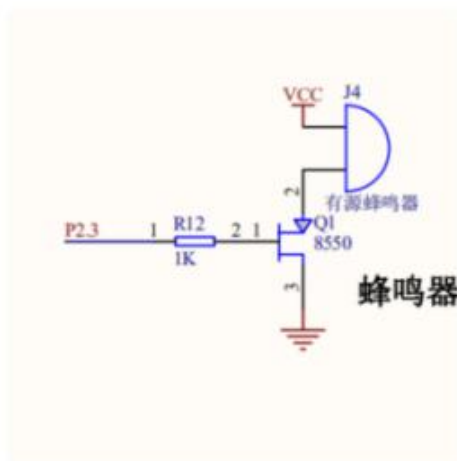
3

1

P3.7

1

P3.7



1

2

PCB
E

3

1

1

K1

D1

K2

D2



1

2

PCB

E

3

1

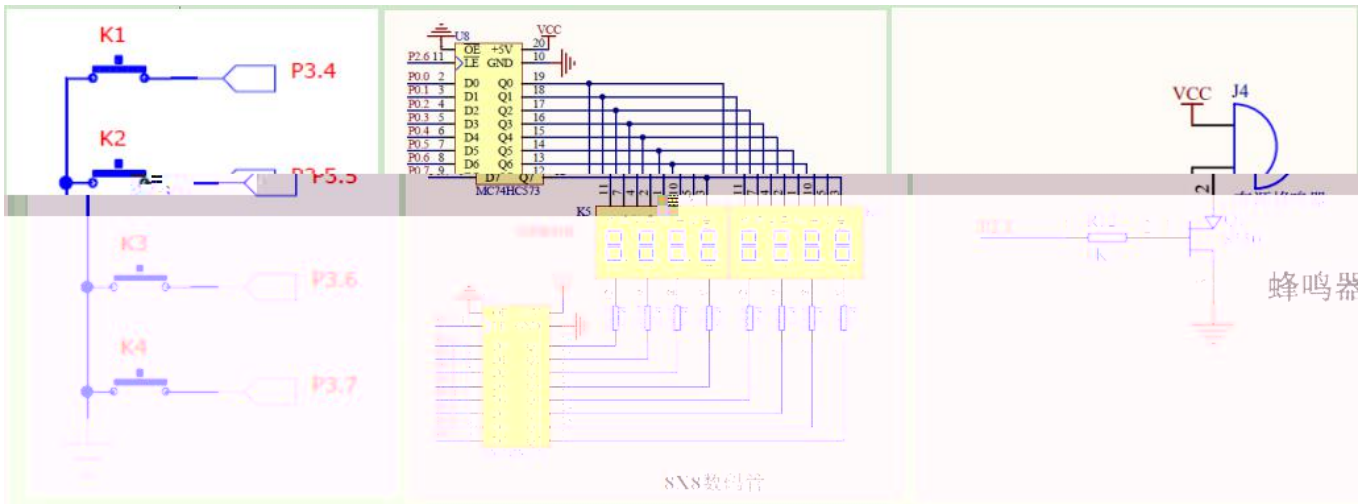
1

K1

K2 K3 K4

K1

" 1"



2

PCB

E

3

1

2



2

PCB

E

3

1

1

P3.6

P3.6



1

2

PCB

E

3

0

1

0.5S 0.5S



2

PCB

E

3

1

K1

D1-D4

K2

D5-D8



2

PCB

E

3

1

/ /

1

/ /

/ /

()

/

1 0

20		10			0
			1		
		10	2		
			3		

			4	
			5	
30		10		
		5		
		5		
		10		
50		5		
		5	1 2	PCB
		10		
		15	1 2 3	
		15		

5

18

1



2

3

1



2

3

1



2

3

1



2

3

1



2



3

1

1	VBAT	VDD	64
2	PC13/ANT1	VSS	63
3	PC14/OSC32	PB9/TIM4_CH4/SDIO_D5	62
4	PC15/OSC32	PB8/TIM4_CH3/SDIO_D4	61
5	PD0/OSCIN	...	60
6	PD1/OSCOU	BOOT0	59
7	NRST	PB7/I2C1_SDA/TIM4_CH2	58
8	PC0/ADC10	PB6/I2C1_SCL/TIM4_CH1	57
9	PC1/ADC11	PB5/I2C1_SMBA/SPI3_MOSI/I2S3_SD	56
10	PC2/ADC12	PB4/JNTRST/SPI3_MISO	55
11	PC3/ADC13	PB3/JTDO/SPI3_SCK/I2S3_CK	54
12	VSSA	PD2/U5_RX/TIM3_ETR/SDIO_CMD	53
13	VDDA	PC12/U5_TX/SDIO_CK	52
14	PA0/WKUP/ADC0/TIM2_CH1_ETR/TIM5_CH1/TIM8_ETR	PC11/U4_RX/SDIO_D3	51
15	PA1/ADC1/TIM2_CH2/TIM5_CH2	PC10/U4_TX/SDIO_D2	50
16	PA2/U2_TX/ADC2/TIM2_CH3/TIM5_CH3	PA15/JTDI/SPI3_NSS/I2S3_WS	49
17	PA3/U2_RX/ADC3/TIM2_CH4/TIM5_CH4	PA14/JTCK/SWCLK	48
18	VDD	VDD	4
19	VSS	VSS	5
20	PA4/ADC0/ADC0/CH1	PA13/TIM2_CH5	6
21	PA5/ADC0/ADC0/CH2	PA12/TIM2_CH4	7
22	PA6/ADC0/ADC0/CH3	PA11/ADC1/ADC1/CH1	8
23	PA7/ADC0/ADC0/CH4	PA10/ADC1/ADC1/CH2	9
24	PA8/ADC0/ADC0/CH5	PA9/ADC1/ADC1/CH3	10
25	PA9/ADC0/ADC0/CH6	PA8/ADC1/ADC1/CH4	11
26	PA10/ADC0/ADC0/CH7	PA7/ADC1/ADC1/CH5	12
27	PA11/ADC0/ADC0/CH8	PA6/ADC1/ADC1/CH6	13
28	PA12/ADC0/ADC0/CH9	PA5/ADC1/ADC1/CH7	14
29	PA13/ADC0/ADC0/CH10	PA4/ADC1/ADC1/CH8	15
30	PA14/ADC0/ADC0/CH11	PA3/ADC1/ADC1/CH9	16
31	PA15/ADC0/ADC0/CH12	PA2/ADC1/ADC1/CH10	17
32	PA16/ADC0/ADC0/CH13	PA1/ADC1/ADC1/CH11	18
33	PA17/ADC0/ADC0/CH14	PA0/ADC1/ADC1/CH12	19
34	PA18/ADC0/ADC0/CH15	PA15/ADC1/ADC1/CH13	20
35	PA19/ADC0/ADC0/CH16	PA14/ADC1/ADC1/CH14	21
36	PA20/ADC0/ADC0/CH17	PA13/ADC1/ADC1/CH15	22
37	PA21/ADC0/ADC0/CH18	PA12/ADC1/ADC1/CH16	23
38	PA22/ADC0/ADC0/CH19	PA11/ADC1/ADC1/CH17	24
39	PA23/ADC0/ADC0/CH20	PA10/ADC1/ADC1/CH18	25
40	PA24/ADC0/ADC0/CH21	PA9/ADC1/ADC1/CH19	26
41	PA25/ADC0/ADC0/CH22	PA8/ADC1/ADC1/CH20	27
42	PA26/ADC0/ADC0/CH23	PA7/ADC1/ADC1/CH21	28
43	PA27/ADC0/ADC0/CH24	PA6/ADC1/ADC1/CH22	29
44	PA28/ADC0/ADC0/CH25	PA5/ADC1/ADC1/CH23	30
45	PA29/ADC0/ADC0/CH26	PA4/ADC1/ADC1/CH24	31
46	PA30/ADC0/ADC0/CH27	PA3/ADC1/ADC1/CH25	32
47	PA31/ADC0/ADC0/CH28	PA2/ADC1/ADC1/CH26	33
48	PA32/ADC0/ADC0/CH29	PA1/ADC1/ADC1/CH27	34
49	PA33/ADC0/ADC0/CH30	PA0/ADC1/ADC1/CH28	35
50	PA34/ADC0/ADC0/CH31	PA15/ADC1/ADC1/CH29	36
51	PA35/ADC0/ADC0/CH32	PA14/ADC1/ADC1/CH30	37
52	PA36/ADC0/ADC0/CH33	PA13/ADC1/ADC1/CH31	38
53	PA37/ADC0/ADC0/CH34	PA12/ADC1/ADC1/CH32	39
54	PA38/ADC0/ADC0/CH35	PA11/ADC1/ADC1/CH33	40
55	PA39/ADC0/ADC0/CH36	PA10/ADC1/ADC1/CH34	41
56	PA40/ADC0/ADC0/CH37	PA9/ADC1/ADC1/CH35	42
57	PA41/ADC0/ADC0/CH38	PA8/ADC1/ADC1/CH36	43
58	PA42/ADC0/ADC0/CH39	PA7/ADC1/ADC1/CH37	44
59	PA43/ADC0/ADC0/CH40	PA6/ADC1/ADC1/CH38	45
60	PA44/ADC0/ADC0/CH41	PA5/ADC1/ADC1/CH39	46
61	PA45/ADC0/ADC0/CH42	PA4/ADC1/ADC1/CH40	47
62	PA46/ADC0/ADC0/CH43	PA3/ADC1/ADC1/CH41	48
63	PA47/ADC0/ADC0/CH44	PA2/ADC1/ADC1/CH42	49
64	PA48/ADC0/ADC0/CH45	PA1/ADC1/ADC1/CH43	50
65	PA49/ADC0/ADC0/CH46	PA0/ADC1/ADC1/CH44	51
66	PA50/ADC0/ADC0/CH47	PA15/ADC1/ADC1/CH45	52
67	PA51/ADC0/ADC0/CH48	PA14/ADC1/ADC1/CH46	53
68	PA52/ADC0/ADC0/CH49	PA13/ADC1/ADC1/CH47	54
69	PA53/ADC0/ADC0/CH50	PA12/ADC1/ADC1/CH48	55
70	PA54/ADC0/ADC0/CH51	PA11/ADC1/ADC1/CH49	56
71	PA55/ADC0/ADC0/CH52	PA10/ADC1/ADC1/CH50	57
72	PA56/ADC0/ADC0/CH53	PA9/ADC1/ADC1/CH51	58
73	PA57/ADC0/ADC0/CH54	PA8/ADC1/ADC1/CH52	59
74	PA58/ADC0/ADC0/CH55	PA7/ADC1/ADC1/CH53	60
75	PA59/ADC0/ADC0/CH56	PA6/ADC1/ADC1/CH54	61
76	PA60/ADC0/ADC0/CH57	PA5/ADC1/ADC1/CH55	62
77	PA61/ADC0/ADC0/CH58	PA4/ADC1/ADC1/CH56	63
78	PA62/ADC0/ADC0/CH59	PA3/ADC1/ADC1/CH57	64
79	PA63/ADC0/ADC0/CH60	PA2/ADC1/ADC1/CH58	65
80	PA64/ADC0/ADC0/CH61	PA1/ADC1/ADC1/CH59	66
81	PA65/ADC0/ADC0/CH62	PA0/ADC1/ADC1/CH60	67
82	PA66/ADC0/ADC0/CH63	PA15/ADC1/ADC1/CH61	68
83	PA67/ADC0/ADC0/CH64	PA14/ADC1/ADC1/CH62	69
84	PA68/ADC0/ADC0/CH65	PA13/ADC1/ADC1/CH63	70
85	PA69/ADC0/ADC0/CH66	PA12/ADC1/ADC1/CH64	71
86	PA70/ADC0/ADC0/CH67	PA11/ADC1/ADC1/CH65	72
87	PA71/ADC0/ADC0/CH68	PA10/ADC1/ADC1/CH66	73
88	PA72/ADC0/ADC0/CH69	PA9/ADC1/ADC1/CH67	74
89	PA73/ADC0/ADC0/CH70	PA8/ADC1/ADC1/CH68	75
90	PA74/ADC0/ADC0/CH71	PA7/ADC1/ADC1/CH69	76
91	PA75/ADC0/ADC0/CH72	PA6/ADC1/ADC1/CH70	77
92	PA76/ADC0/ADC0/CH73	PA5/ADC1/ADC1/CH71	78
93	PA77/ADC0/ADC0/CH74	PA4/ADC1/ADC1/CH72	79
94	PA78/ADC0/ADC0/CH75	PA3/ADC1/ADC1/CH73	80
95	PA79/ADC0/ADC0/CH76	PA2/ADC1/ADC1/CH74	81
96	PA80/ADC0/ADC0/CH77	PA1/ADC1/ADC1/CH75	82
97	PA81/ADC0/ADC0/CH78	PA0/ADC1/ADC1/CH76	83
98	PA82/ADC0/ADC0/CH79	PA15/ADC1/ADC1/CH77	84
99	PA83/ADC0/ADC0/CH80	PA14/ADC1/ADC1/CH78	85
100	PA84/ADC0/ADC0/CH81	PA13/ADC1/ADC1/CH79	86
101	PA85/ADC0/ADC0/CH82	PA12/ADC1/ADC1/CH80	87
102	PA86/ADC0/ADC0/CH83	PA11/ADC1/ADC1/CH81	88
103	PA87/ADC0/ADC0/CH84	PA10/ADC1/ADC1/CH82	89
104	PA88/ADC0/ADC0/CH85	PA9/ADC1/ADC1/CH83	90
105	PA89/ADC0/ADC0/CH86	PA8/ADC1/ADC1/CH84	91
106	PA90/ADC0/ADC0/CH87	PA7/ADC1/ADC1/CH85	92
107	PA91/ADC0/ADC0/CH88	PA6/ADC1/ADC1/CH86	93
108	PA92/ADC0/ADC0/CH89	PA5/ADC1/ADC1/CH87	94
109	PA93/ADC0/ADC0/CH90	PA4/ADC1/ADC1/CH88	95
110	PA94/ADC0/ADC0/CH91	PA3/ADC1/ADC1/CH89	96
111	PA95/ADC0/ADC0/CH92	PA2/ADC1/ADC1/CH90	97
112	PA96/ADC0/ADC0/CH93	PA1/ADC1/ADC1/CH91	98
113	PA97/ADC0/ADC0/CH94	PA0/ADC1/ADC1/CH92	99
114	PA98/ADC0/ADC0/CH95	PA15/ADC1/ADC1/CH93	100
115	PA99/ADC0/ADC0/CH96	PA14/ADC1/ADC1/CH94	101
116	PA100/ADC0/ADC0/CH97	PA13/ADC1/ADC1/CH95	102
117	PA101/ADC0/ADC0/CH98	PA12/ADC1/ADC1/CH96	103
118	PA102/ADC0/ADC0/CH99	PA11/ADC1/ADC1/CH97	104
119	PA103/ADC0/ADC0/CH100	PA10/ADC1/ADC1/CH98	105
120	PA104/ADC0/ADC0/CH101	PA9/ADC1/ADC1/CH99	106
121	PA105/ADC0/ADC0/CH102	PA8/ADC1/ADC1/CH100	107
122	PA106/ADC0/ADC0/CH103	PA7/ADC1/ADC1/CH101	108
123	PA107/ADC0/ADC0/CH104	PA6/ADC1/ADC1/CH102	109
124	PA108/ADC0/ADC0/CH105	PA5/ADC1/ADC1/CH103	110
125	PA109/ADC0/ADC0/CH106	PA4/ADC1/ADC1/CH104	111
126	PA110/ADC0/ADC0/CH107	PA3/ADC1/ADC1/CH105	112
127	PA111/ADC0/ADC0/CH108	PA2/ADC1/ADC1/CH106	113
128	PA112/ADC0/ADC0/CH109	PA1/ADC1/ADC1/CH107	114
129	PA113/ADC0/ADC0/CH110	PA0/ADC1/ADC1/CH108	115
130	PA114/ADC0/ADC0/CH111	PA15/ADC1/ADC1/CH109	116
131	PA115/ADC0/ADC0/CH112	PA14/ADC1/ADC1/CH110	117
132	PA116/ADC0/ADC0/CH113	PA13/ADC1/ADC1/CH111	118
133	PA117/ADC0/ADC0/CH114	PA12/ADC1/ADC1/CH112	119
134	PA118/ADC0/ADC0/CH115	PA11/ADC1/ADC1/CH113	120
135	PA119/ADC0/ADC0/CH116	PA10/ADC1/ADC1/CH114	121
136	PA120/ADC0/ADC0/CH117	PA9/ADC1/ADC1/CH115	122
137	PA121/ADC0/ADC0/CH118	PA8/ADC1/ADC1/CH116	123
138	PA122/ADC0/ADC0/CH119	PA7/ADC1/ADC1/CH117	124
139	PA123/ADC0/ADC0/CH120	PA6/ADC1/ADC1/CH118	125
140	PA124/ADC0/ADC0/CH121	PA5/ADC1/ADC1/CH119	126
141	PA125/ADC0/ADC0/CH122	PA4/ADC1/ADC1/CH120	127
142	PA126/ADC0/ADC0/CH123	PA3/ADC1/ADC1/CH121	128
143	PA127/ADC0/ADC0/CH124	PA2/ADC1/ADC1/CH122	129
144	PA128/ADC0/ADC0/CH125	PA1/ADC1/ADC1/CH123	130
145	PA129/ADC0/ADC0/CH126	PA0/ADC1/ADC1/CH124	131
146	PA130/ADC0/ADC0/CH127	PA15/ADC1/ADC1/CH125	132
147	PA131/ADC0/ADC0/CH128	PA14/ADC1/ADC1/CH126	133
148	PA132/ADC0/ADC0/CH129	PA13/ADC1/ADC1/CH127	134
149	PA133/ADC0/ADC0/CH130	PA12/ADC1/ADC1/CH128	135
150	PA134/ADC0/ADC0/CH131	PA11/ADC1/ADC1/CH129	136
151	PA135/ADC0/ADC0/CH132	PA10/ADC1/ADC1/CH130	137
152	PA136/ADC0/ADC0/CH133	PA9/ADC1/ADC1/CH131	138
153	PA137/ADC0/ADC0/CH134	PA8/ADC1/ADC1/CH132	139
154	PA138/ADC0/ADC0/CH135	PA7/ADC1/ADC1/CH133	140
155	PA139/ADC0/ADC0/CH136	PA6/ADC1/ADC1/CH134	141
156	PA140/ADC0/ADC0/CH137	PA5/ADC1/ADC1/CH135	142
157	PA141/ADC0/ADC0/CH138	PA4/ADC1/ADC1/CH136	143
158	PA142/ADC0/ADC0/CH139	PA3/ADC1/ADC1/CH137	144
159	PA143/ADC0/ADC0/CH140	PA2/ADC1/ADC1/CH138	145
160	PA144/ADC0/ADC0/CH141	PA1/ADC1/ADC1/CH139	146
161	PA145/ADC0/ADC0/CH142	PA0/ADC1/ADC1/CH140	147
162	PA146/ADC0/ADC0/CH143	PA15/ADC1/ADC1/CH141	148
163	PA147/ADC0/ADC0/CH144	PA14/ADC1/ADC1/CH142	149
164	PA148/ADC0/ADC0/CH145	PA13/ADC1/ADC1/CH143	150
165	PA149/ADC0/ADC0/CH146	PA12/ADC1/ADC1/CH144	151
166	PA150/ADC0/ADC0/CH147	PA11/ADC1/ADC1/CH145	152
167	PA151/ADC0/ADC0/CH148	PA10/ADC1/ADC1/CH146	153
168	PA152/ADC0/ADC0/CH149	PA9/ADC1/ADC1/CH147	154
169	PA153/ADC0/ADC0/CH150	PA8/ADC1/ADC1/CH148	155
170	PA154/ADC0/ADC0/CH151	PA7/ADC1/ADC1/CH149	156
171	PA155/ADC0/ADC0/CH152	PA6/ADC1/ADC1/CH150	157
172	PA156/ADC0/ADC0/CH153	PA5/ADC1/ADC1/CH151	158
173	PA157/ADC0/ADC0/CH154	PA4/ADC1/ADC1/CH152	159
174	PA158/ADC0/ADC0/CH155	PA3/ADC1/ADC1/CH153	160
175	PA159/ADC0/ADC0/CH156	PA2/ADC1/ADC1/CH154	161
176	PA160/ADC0/ADC0/CH157	PA1/ADC1/ADC1/CH155	162
177	PA161/ADC0/ADC0/CH158	PA0/ADC1/ADC1/CH156	163
178	PA162/ADC0/ADC0/CH159	PA15/ADC1/ADC1/CH157	164
179	PA163/ADC0/ADC0/CH160	PA14/ADC1/ADC1/CH158	165
180	PA164/ADC0/ADC0/CH161	PA13/ADC1/ADC1/CH159	166
181	PA165/ADC0/ADC0/CH162	PA12/ADC1/ADC1/CH160	167
182	PA166/ADC0/ADC0/CH163	PA11/ADC1/ADC1/CH161	168
183	PA167/ADC0/ADC0/CH164	PA10/ADC1/ADC1/CH162	169
184	PA168/ADC0/ADC0/CH165	PA9/ADC1/ADC1/CH163	170
185	PA169/ADC0/ADC0/CH166	PA8/ADC1/ADC1/CH164	171
186	PA170/ADC0/ADC0/CH167	PA7/ADC1/ADC1/CH165	172
187	PA171/ADC0/ADC0/CH168	PA6/ADC1/ADC1/CH166	173
188	PA172/ADC0/ADC0/CH169	PA5/ADC1/ADC1/CH167	174
189	PA173/ADC0/ADC0/CH170	PA4/ADC1/ADC1/CH168	175
190	PA174/ADC0/ADC0/CH171	PA3/ADC1/ADC1/CH169	176
191	PA175/ADC0/ADC0/CH172	PA2/ADC1/ADC1/CH170	177
192	PA176/ADC0/ADC0/CH173	PA1/ADC1/ADC1/CH171	178
193	PA177/ADC0/ADC0/CH174	PA0/ADC1/ADC1/CH172	179
194	PA178/ADC0/ADC0/CH175	PA15/ADC1/ADC1/CH173	180
195	PA179/ADC0/ADC0/CH176	PA14/ADC1/ADC1/CH174	181
196	PA180/ADC0/ADC0/CH177	PA13/ADC1/ADC1/CH175	182
197	PA181/ADC0/ADC0/CH178	PA12/ADC1/ADC1/CH176	183
198	PA182/ADC0/ADC0/CH179	PA11/ADC1/ADC1/CH177	184
199	PA183/ADC0/ADC0/CH180	PA10/ADC1/ADC1/CH178	185
200	PA184/ADC0/ADC0/CH181	PA9/ADC1/ADC1/CH179	186
201	PA185/ADC0/ADC0/CH182	PA8/ADC1/ADC1/CH180	187
202	PA186/ADC0/ADC0/CH183	PA7/ADC1/ADC1/CH181	188
203	PA187/ADC0/ADC0/CH184	PA6/ADC1/ADC1/CH182	189
204	PA188/ADC0/ADC0/CH185	PA5/ADC1/ADC1/CH183	190
205	PA189/ADC0/ADC0/CH186	PA4/ADC1/ADC1/CH184	191
206	PA190/ADC0/ADC0/CH187	PA3/ADC1/ADC1/CH185	192
207	PA191/ADC0/ADC0/CH188	PA2/ADC1/ADC1/CH186	193
208	PA192/ADC0/ADC0/CH189	PA1/ADC1/ADC1/CH187	194
209	PA193/ADC0/ADC0/CH190	PA0/ADC1/ADC1/CH188	195
210	PA194/ADC0/ADC0/CH191	PA15/ADC1/ADC1/CH189	196
211	PA195/ADC0/ADC0/CH192	PA14/ADC1/ADC1/CH190	197
212	PA196/ADC0/ADC0/CH193	PA13/ADC1/ADC1/CH191	198
213	PA197/ADC0/ADC0/CH194	PA12/ADC1/ADC1/CH192	199
214	PA198/ADC0/ADC0/CH195	PA11/ADC1/ADC1/CH193	200
215	PA199/ADC0/ADC0/CH196	PA10/ADC1/ADC1/CH194	201
216	PA200/ADC0/ADC0/CH197	PA9/ADC1/ADC1/CH195	202
217	PA201/ADC0/ADC0/CH198	PA8/ADC1/ADC1/CH196	203
218	PA202/ADC0/ADC0/CH199	PA7/ADC1/ADC1/CH197	204
219	PA203/ADC0/ADC0/CH200	PA6/ADC1/ADC1/CH198	205
220	PA204/ADC0/ADC0/CH201	PA5/ADC1/ADC1/CH199	206
221	PA205/ADC0/ADC0/CH202	PA4/ADC1/ADC1/CH200	207
222	PA206/ADC0/ADC0/CH203	PA3/ADC1/ADC1/CH201	208
223	PA207/ADC0/ADC0/CH204	PA2/ADC1/ADC1/CH202	209
224	PA208/ADC0/ADC0/CH205	PA1/ADC1/ADC1/CH203	210
225	PA209/ADC0/ADC		

1



2

3

1

1	VBAT	VDD	64
2	PC13/ANT1	VSS	63
3	PC14/OSC32	PB9/TIM4_CH4/SDIO_D5	62
4	PC15/OSC32	PB8/TIM4_CH3/SDIO_D4	61
5	PD0/OSCIN	BOOT0	60
6	PD1/OSCCOUT	PB7/I2C1_SDA/TIM4_CH2	59
7	NRST	PB6/I2C1_SCL/TIM4_CH1	58
8	PC0/ADC10	PB5/I2C1_SMBA/SPI3_MOSI/I2S3_SD	57
9	PC1/ADC11	PB4/JNTRST/SPI3_MISO	56
10	PC2/ADC12	PB3/JTDC/SPI3_SCK/I2S3_CK	55
11	PC3/ADC13	PD2/U5_RX/TIM3_ETR/SDIO_CMD	54
12	VSSA	PC12/U5_TX/SDIO_CK	53
13	VDDA	PC11/U4_RX/SDIO_D3	52
14	PA0/WKUP/ADC0/TIM2_CH1_ETR/TIM5_CH1/TIM8_ETR	PC10/U4_TX/SDIO_D2	51
15	PA1/ADC1/TIM2_CH2/TIM5_CH2	PA15/JTDI/SPI3_NSS/I2S3_WS	50
16	PA2/U2_TX/ADC2/TIM2_CH3/TIM5_CH3	PA14/JTCK/SWCLK	49
17	PA3/U2_RX/ADC3/TIM2_CH4/TIM5_CH4	VDD	48
18	PA4	VDD	47
19	PA5	PA13/TIM8_ETR	46
20	PA6	PA12/CKI/TIM8_ETR	45
21	PA7	PA11/CKE/TIM8_ETR	44
22	PA8	PA10/CKE/TIM8_ETR	43
23	PA9	PA9/CKE/TIM8_ETR	42
24	PA10	PA8/CKE/TIM8_ETR	41
25	PA11	PA7/CKE/TIM8_ETR	40
26	PA12	PA6/CKE/TIM8_ETR	39
27	PA13	PA5/CKE/TIM8_ETR	38
28	PA14	PA4/CKE/TIM8_ETR	37
29	PA15	PA3/CKE/TIM8_ETR	36
30	PC4	PC9/ADC14	35
31	PC5	PC8/ADC15	34
32	PC6	PC7/ADC16	33
33	PC7	PC6/ADC17	32
34	PC8	PC5/ADC18	31
35	PC9	PC4/ADC19	30
36	PC10	PC3/ADC20	29
37	PC11	PC2/ADC21	28
38	PC12	PC1/ADC22	27
39	PC13	PC0/ADC23	26
40	PC14	PC15/ADC24	25
41	PC15	PC14/ADC25	24
42	PC16	PC13/ADC26	23
43	PC17	PC12/ADC27	22
44	PC18	PC11/ADC28	21
45	PC19	PC10/ADC29	20
46	PC20	PC9/ADC30	19
47	PC21	PC8/ADC31	18
48	PC22	PC7/ADC32	17
49	PC23	PC6/ADC33	16
50	PC24	PC5/ADC34	15
51	PC25	PC4/ADC35	14
52	PC26	PC3/ADC36	13
53	PC27	PC2/ADC37	12
54	PC28	PC1/ADC38	11
55	PC29	PC0/ADC39	10
56	PC30	PC15/ADC40	9
57	PC31	PC14/ADC41	8
58	PC32	PC13/ADC42	7
59	PC33	PC12/ADC43	6
60	PC34	PC11/ADC44	5
61	PC35	PC10/ADC45	4
62	PC36	PC9/ADC46	3
63	PC37	PC8/ADC47	2
64	PC38	PC7/ADC48	1

2

3



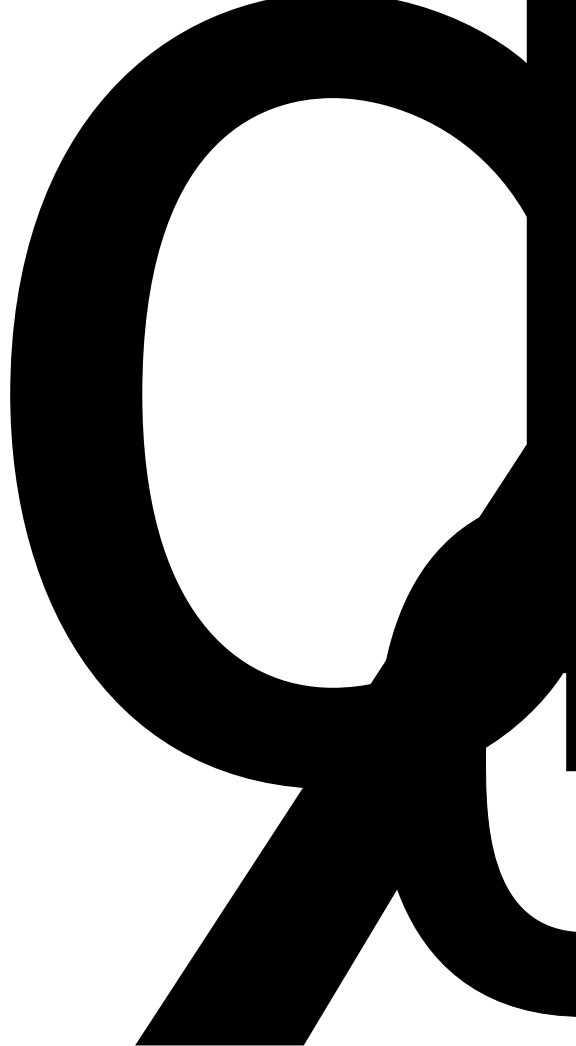
3

-

3

-

1



2

5

1

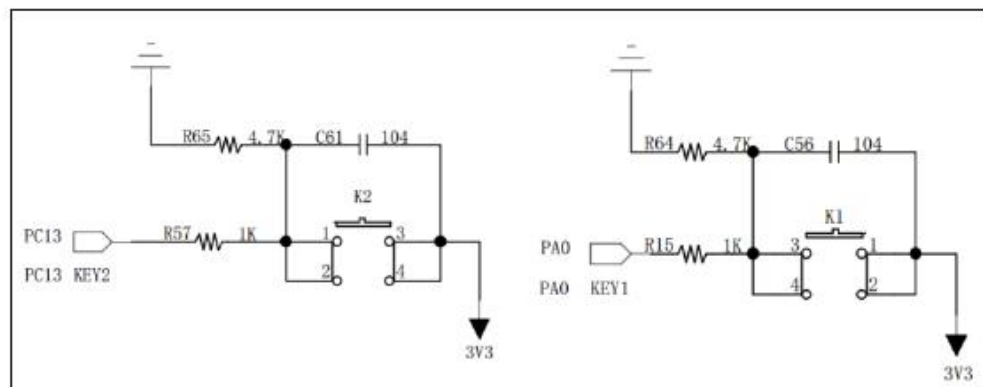
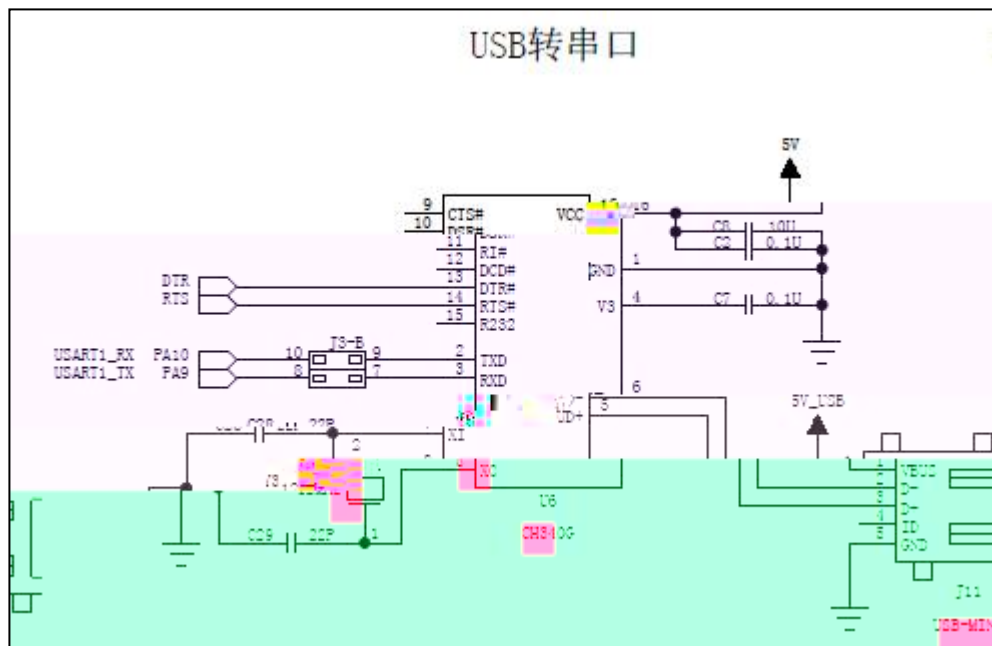


2

3

-

1

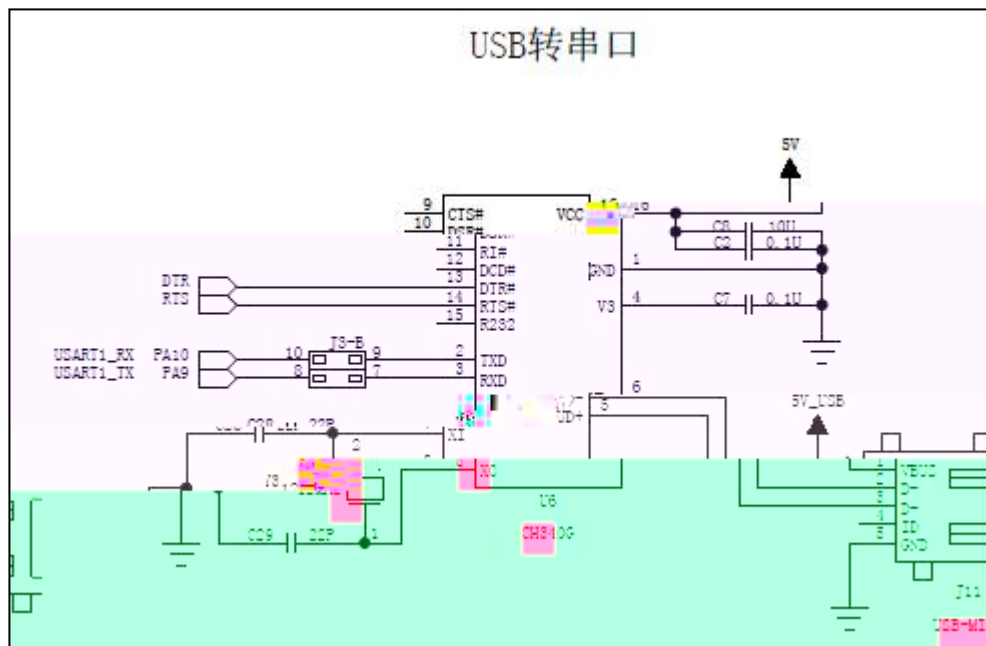


2

3

-

1



2

3

-

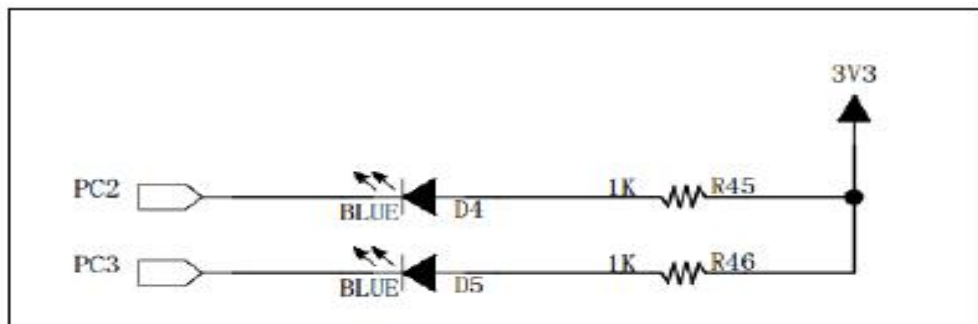


2

3

-

1



2

3

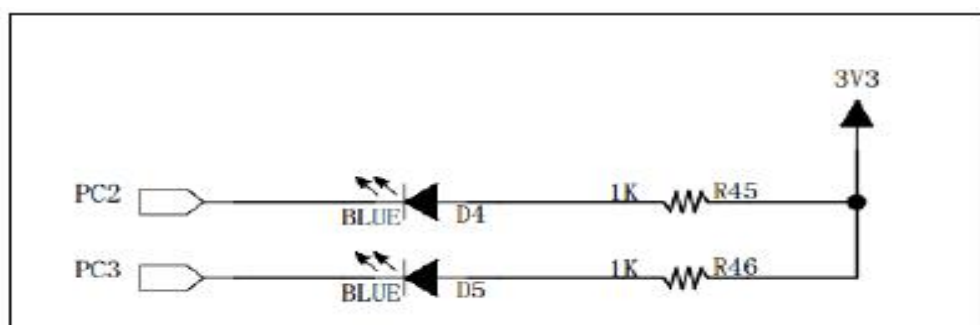


2

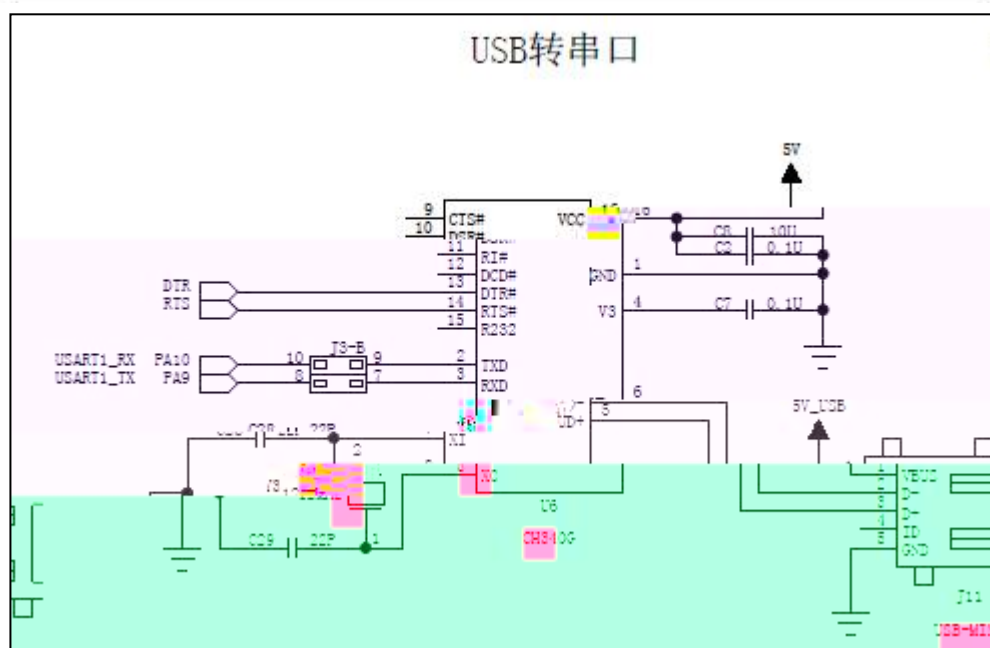
3

-

1



2



3

-

1

1

/ /

.0

/ /

()

/

1 0

20		10			0	
			6			
			7			
		10	8			
			9			

			10	
30				
		10		
		10		
50				
		10		

5

18

1
2

20sp

RGB #FF0000



3 :

2
1



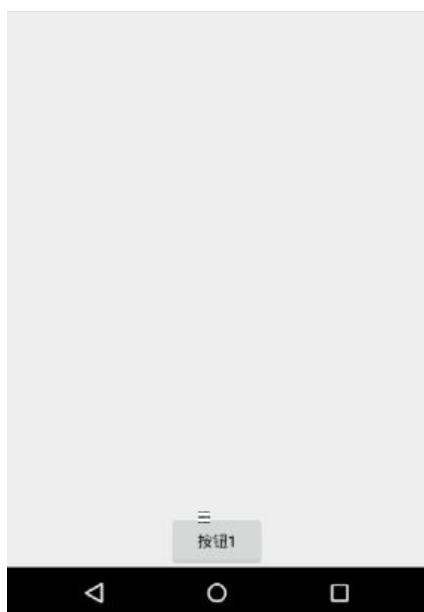
3 :

1

2

1

2



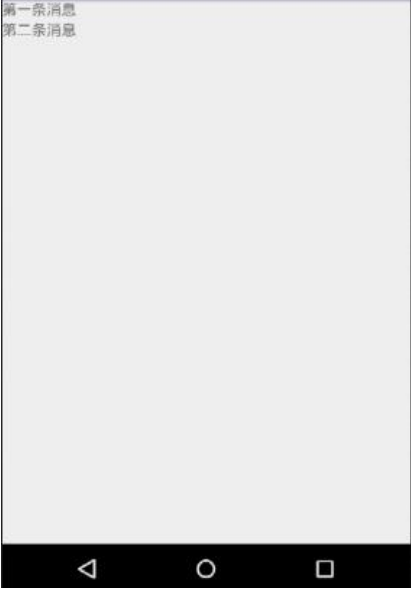
3

:

TextView

2

1



3

1

2



3

2

1

2



3

1

1 1 1 1

2

1

2

1 1 1 1



3

1

2

1



3

1

2

1

2



3

1

2

1

2



3

1

2

1



3

1

LED

2

1

2

3

TextView LED



3

1

LED

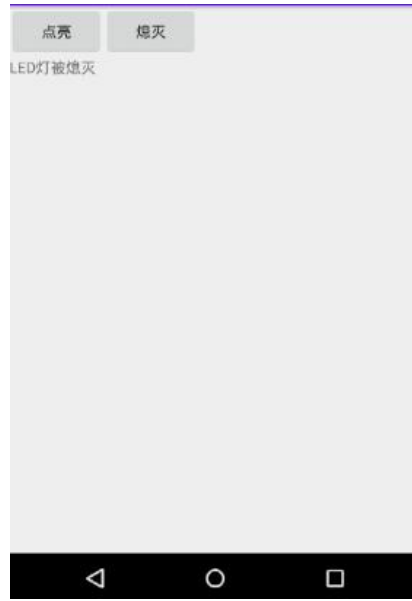
2

1

2

3

TextView LED



3

1

LED

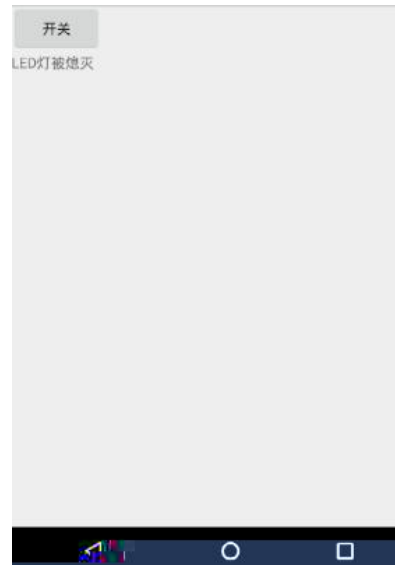
2

1

2

3

TextView LED



3

1

LED

2

1

2

3

4

TextVi ew



3

1

LED

2

1

2

3

4

ImageView

30dp*30dp



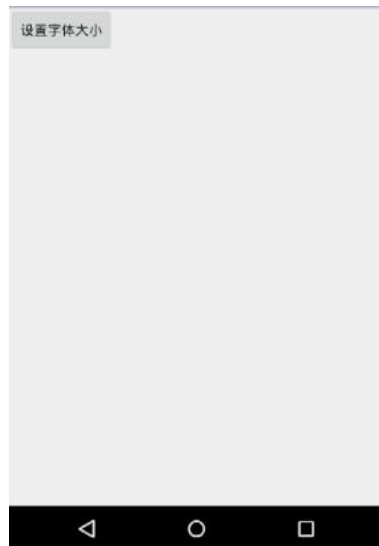
3

1

2

1

2



3

1

2

1

2



3